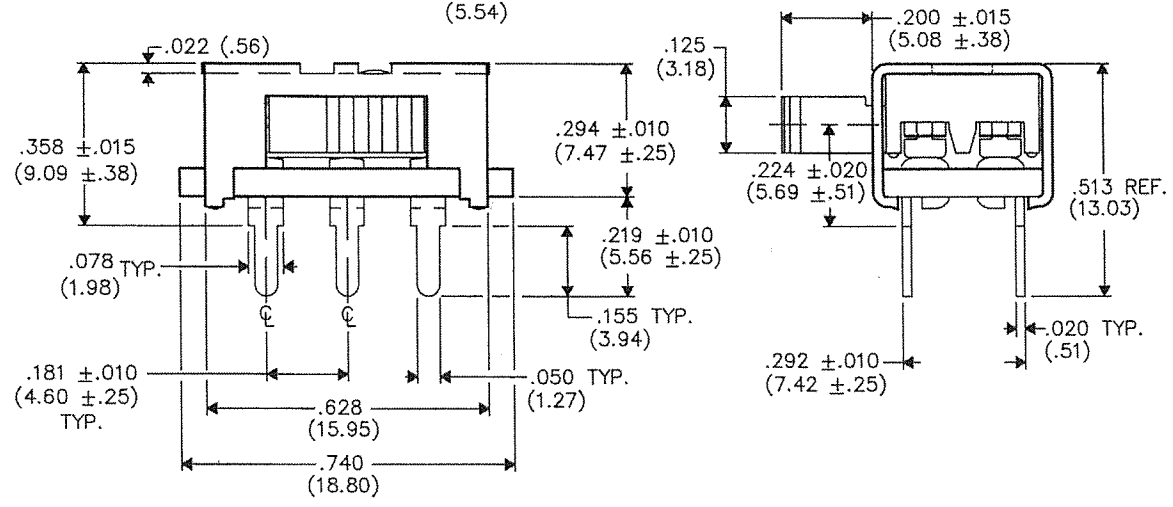
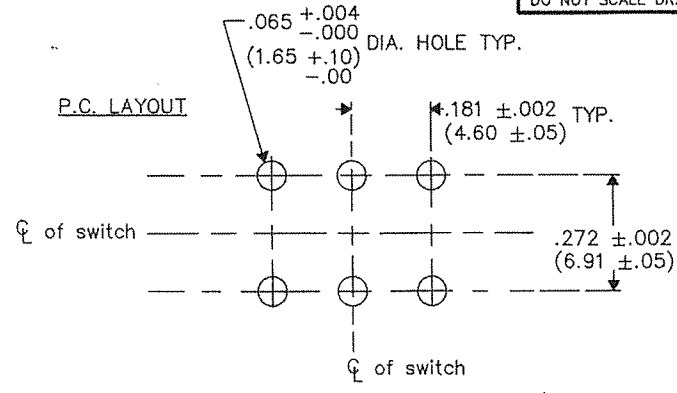
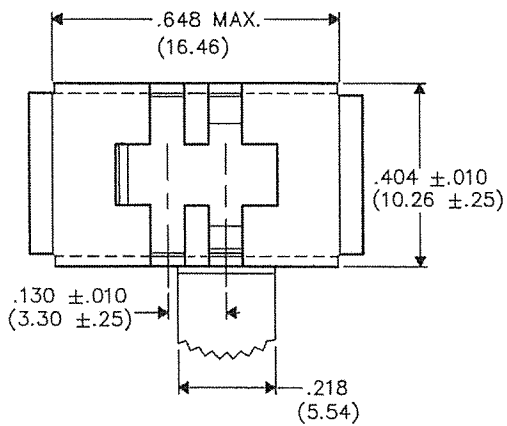


F  
D  
C  
B  
A

THIS INFORMATION IS CONFIDENTIAL AND PROPRIETARY TO CW INDUSTRIES INCORPORATED AND ITS AFFILIATES. IT MAY NOT BE DISCLOSED TO ANYONE OTHER THAN CW INDUSTRIES PERSONNEL, WITHOUT WRITTEN AUTHORIZATION FROM CW INDUSTRIES INCORPORATED, SOUTHAMPTON, PENNSYLVANIA USA.



RATINGS:

UL CSA  
3A AC .5A DC 125V

BUTTON COLOR:  
BLACK

	1	2	3	4	5	6	7	8	9	10																																								
B-FORMAT 2002 <b>REVISIONS</b>	0																																																	
	1	RELEASED. D&W 6-14-93 RBK JUNE 18, 1993 REMOVED TRAVEL FROM 1.30±.010. D&W 12-07-94 GG DEC. 14, 1994																																																
	2	REDRAWN WITH NEW FORMAT. ADDED RATINGS & BUTTON COLOR. D&W 3-15-2010 G.G. MAR 15 2010																																																
		<table border="1"> <tr> <td rowspan="4">PDF FILE MADE</td> <td colspan="2"><b>CW INDUSTRIES</b></td> <td colspan="2">Title: SWIDGET ASSEMBLY D.P.- D.T. SYDEWYNDER</td> </tr> <tr> <td colspan="2">Southampton, Pa. 18966</td> <td colspan="2">Division: SWITCH</td> </tr> <tr> <td colspan="2">TOLERANCES UNLESS OTHERWISE SPECIFIED</td> <td colspan="2">Dwg. No. GI-152-0080</td> </tr> <tr> <td>2 Place Decimal ±.010</td> <td>METRIC</td> <td colspan="2"></td> </tr> <tr> <td>3 Place Decimal ±.005</td> <td>1 Place Dec. ±.25mm</td> <td colspan="2"></td> </tr> <tr> <td>Angles ..... ±'</td> <td>2 Place Dec. ±.13mm</td> <td colspan="2"></td> </tr> <tr> <td colspan="2">Made for: CW IND.</td> <td colspan="2"></td> </tr> <tr> <td colspan="2">Drawn by: D&amp;W 3-15-2010</td> <td colspan="2"></td> </tr> <tr> <td colspan="2">Checked by: G. Guld 3-15-16</td> <td colspan="2"></td> </tr> <tr> <td colspan="2">Approval: G GULD 3-15-10</td> <td colspan="2"></td> </tr> </table>									PDF FILE MADE	<b>CW INDUSTRIES</b>		Title: SWIDGET ASSEMBLY D.P.- D.T. SYDEWYNDER		Southampton, Pa. 18966		Division: SWITCH		TOLERANCES UNLESS OTHERWISE SPECIFIED		Dwg. No. GI-152-0080		2 Place Decimal ±.010	METRIC			3 Place Decimal ±.005	1 Place Dec. ±.25mm			Angles ..... ±'	2 Place Dec. ±.13mm			Made for: CW IND.				Drawn by: D&W 3-15-2010				Checked by: G. Guld 3-15-16				Approval: G GULD 3-15-10		
PDF FILE MADE	<b>CW INDUSTRIES</b>		Title: SWIDGET ASSEMBLY D.P.- D.T. SYDEWYNDER																																															
	Southampton, Pa. 18966		Division: SWITCH																																															
	TOLERANCES UNLESS OTHERWISE SPECIFIED		Dwg. No. GI-152-0080																																															
	2 Place Decimal ±.010	METRIC																																																
3 Place Decimal ±.005	1 Place Dec. ±.25mm																																																	
Angles ..... ±'	2 Place Dec. ±.13mm																																																	
Made for: CW IND.																																																		
Drawn by: D&W 3-15-2010																																																		
Checked by: G. Guld 3-15-16																																																		
Approval: G GULD 3-15-10																																																		

MASTER